



INSTALLATION INSTRUCTIONS

TJ WRANGLER TONNEAU
PART #125-081 KAYLINE HARDWARE
PART #125-181 OEM HARDWARE

KAYLINE MFG.

Thank you for purchasing Kayline's Tonneau for your Jeep® vehicle. It has been designed for great fit and long wear. Please read and follow, precisely, all installation instructions provided when installing tonneau. Failure to do so may result in a poor fitting tonneau and could place occupants in a potentially hazardous situation.

TOOLS REQUIRED:

STANDARD SCREWDRIVER RUBBING ALCOHOL

PARTS LIST:

SUPPORTS BOWS (1 Left & 1 Right)
2 EA 1/4-20 X 1 1/2" SLOTTED SCREW
2 EA 1/4-20 RECTANGULAR NUT
2 EA 5" PIECES SELF ADHESIVE HOOK
1 EA 35 1/2" SELF ADHESIVE HOOK
1 EA TONNEAU COVER

INSTALLATION TIPS

Before you begin installing this tonneau, here are a few tips to make installation easier.

This tonneau should be installed where the temperature is above 72 degrees Fahrenheit. Below this temperature, the top may contract making it difficult to install.

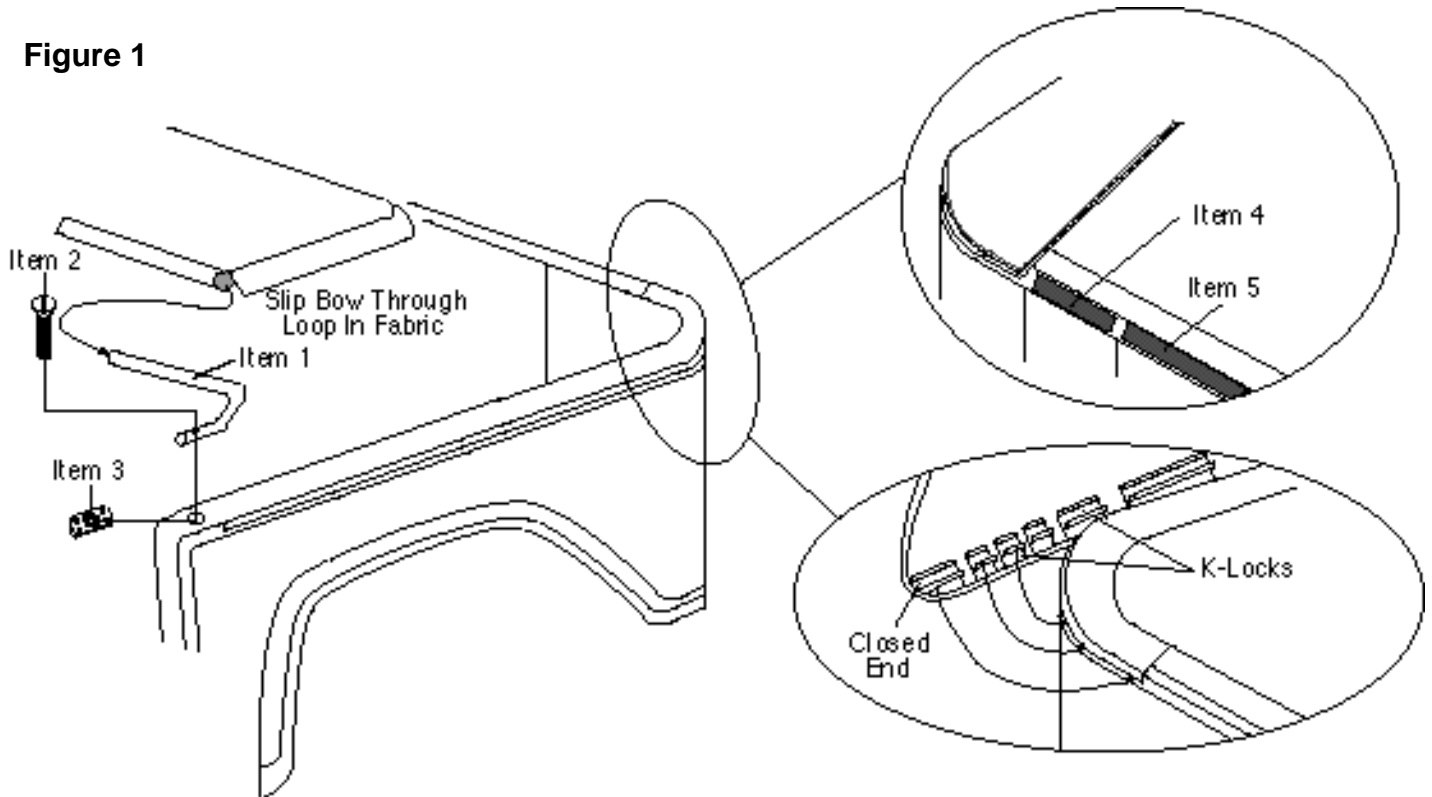
It is normal for a tonneau to contract and wrinkle when stored in the shipping carton. The top will relax and wrinkles will disappear within a few days of installation as fabric adjusts to shape of mounting hardware.

Step 1. Support Bow. Place hole in support bow (Item 1) over front mounting hole on top front edge of body near the door opening. Place 1/4-20 x 1 1/2" (Item 2) screw through support bow, hole in body and secure to 1/4-20 rectangular nut (Item 3). Slide front of tonneau over support bow just installed. Slide other half of the support bow through tonneau and into other half of the support bow. Installed remaining 1/4-20 x 1 1/2" screw and rectangular nut as stated above. See figure 1.

Step 2. Self Adhesive Hook. Clean slanted surface on each side of tailgate and slanted surface of tailgate with a 50-50 solution of alcohol and water. Attach 5" self adhesive hook (Item 4) to slanted surface on each side of tailgate. Attach 35 1/2" self adhesive hook (Item 5) to slanted surface of tailgate. See figure 1.

Step 3. Place cut outs in tonneau around roll bar at rear of vehicle. Clip longer K-lock, behind roll bar, in first and work your way around to rear corner of body. Make sure that the closed end is fully engaged at rear corner. Continue clipping K-locks from roll bar forward until they are all fully engaged. Pull flap around roll bar to the rear and press hook and loop together. Pull rear of tonneau onto tailgate and press hook and loop together.

Figure 1



CARE INSTRUCTIONS

Your tonneau will require special care if you want to get the maximum usage and enjoyment from them. The following recommendations, if followed carefully, can extend the life of your top.

1. Hand wash using a mild non-detergent soap such as Ivory. Use a nonabrasive cloth or sponge. Rinse thoroughly.
2. **DO NOT** wash in direct sunlight and avoid automatic car washes.
3. When your tonneau is clean, we recommend using "303 Protectant" on the vinyl. This product contains a sunscreen that helps protect from the sun's damaging rays.

WARRANTY INFORMATION

Kayline manufacturing warrants to the original purchaser of any product it manufactures, that the product will be free of defects in material or workmanship for a period of 90 days from date of purchase. Such obligations under this warranty shall be limited to the repair or replacement, at Kayline's discretion, of any assembly or parts which upon examination by Kayline proves to be defective. All defective items must be returned with proof of purchase to Kayline Manufacturing, 200 East 64th Avenue, Denver, Colorado 80221, freight prepaid. This warranty does not cover damage resulting from abuse, misuse, alteration, accident or damage in transit. Kayline's obligations under this warranty are limited to the aforementioned repair or replacement of warranty defects for which the return authorization has been received during the warranty period, and **KAYLINE SHALL NOT BE LIABLE FOR ANY INCIDENTAL OR CONSEQUENTIAL DAMAGES ARISING FROM BREACH OF THIS OR ANY IMPLIED WARRANTY.**

Some states do not allow the exclusion or limitation of incidental or consequential damages, so the above limitation or exclusion may not apply to you. This warranty gives you specific legal rights, and you may also have other rights which may vary from state to state.