



INSTALLATION INSTRUCTIONS

WRANGLER 1988-1995 REPLACEMENT

PART #119-036

KAYLINE MFG.

Thank you for purchasing Kayline's Convertible Top for your Jeep® vehicle. It has been designed for great fit and long wear. Please read and follow, precisely, all installation instructions provided when installing top. Failure to do so may result in a poor fitting top and could place occupants in a potentially hazardous situation.

INSTALLATION TIPS

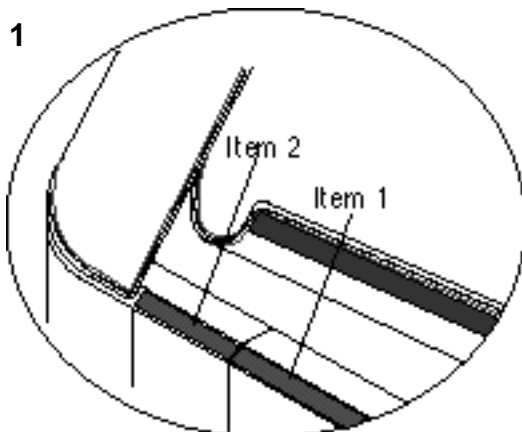
Before you begin installing this top, here are a few tips to make installation easier.

This top should be installed where the temperature is above 72 degrees Fahrenheit. Below this temperature, the top may contract making it difficult to install.

It is normal for a top to contract and wrinkle when stored in the shipping carton. The top will relax and wrinkles will disappear within a few days of installation as fabric adjusts to shape of mounting hardware.

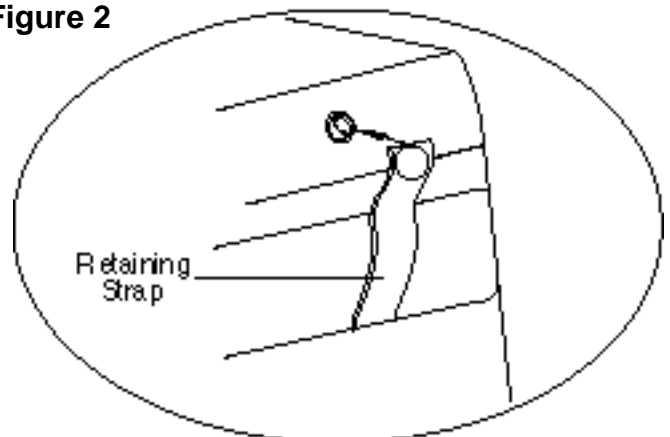
Hook And Loop. Clean slanted edge of tailgate and 7" on each side of tailgate. Center 35 1/2" piece of hook (Item 1) on slanted edge of tailgate. Attach 6 3/8" pieces of hook (Item 2) to slanted edge of body on both sides of tailgate. See figure 1.

Figure 1



Rolling Up Side Rear Curtain. Before rolling up rear curtain, make sure that it is clean and free of dirt. If windows are not clean, dirt will scratch them, reducing the life of your top. To roll up the rear curtain, unfasten hook and loop at tailgate, remove the tailgate retainer and roll up the rear curtain. Secure with retaining straps. It is recommended to use a soft cloth between the windows and retaining straps to prevent marring. See figure 2. To remove the side panels, unzip side panels halfway and unlock spreader bar. Slide rear bow forward to relieve tension on top. Remove plastic from "B" pillar and unzip side panels from top. Making sure that windows are clean, roll them up and store in bags provided with top kit. If windows are not clean dirt will scratch them reducing the life of your top. If windows are stored for an extended period of time the windows may become discolored to the point of not being able to see through them.

Figure 2



CARE INSTRUCTIONS

Convertible tops and accessories require special care if you want to get the maximum usage and enjoyment from them. The following recommendations, if followed carefully, can extend the life of your top or accessory.

1. Hand wash using a mild non-detergent soap such as Ivory. Use a nonabrasive cloth or sponge. Rinse thoroughly.
2. **DO NOT** wash in direct sunlight and avoid automatic car washes.
3. When your top is clean, we recommend using "303 Protectant" on both the vinyl top and windows. This product contains a sunscreen that helps protect from the sun's damaging rays. Stay away from products containing alcohol as it will cause the fabric and windows to lose their elasticity, thus reducing the life of your top or accessory. If you are unable to locate "303 Protectant", please call 1-800-223-4303 for a distributor near you.
4. Direct sunlight and heat are the biggest enemies of the windows. Park in the shade whenever possible. If you must park in the sunlight, rotate the direction that you park every few days so all windows get even exposure.
5. Our tops are designed so that you may roll up and/or store the rear curtain and side curtains. To prevent scratching of the windows, be sure that windows are completely clean and free of dust particles. Even a little dirt will badly scratch the windows. You may want to use a soft cloth when rolling up or storing your windows. Heat may build up on rolled up windows, so be sure to unroll them frequently. If you roll up the windows at the beginning of summer and leave them, they may be ruined by fall.
6. **DO NOT** open or roll up windows at temperatures below 45 degrees F. This could cause them to crack or break.
7. **NEVER** use ice scrapers or snow brushes on vinyl windows.

WARRANTY INFORMATION:

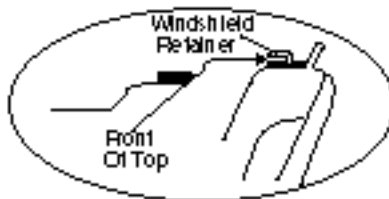
Kayline manufacturing warrants to the original purchaser of any product it manufactures, that the product will be free of defects in material or workmanship for a period of 90 days from date of purchase. Such obligations under this warranty shall be limited to the **repair or replacement**, at Kayline's discretion, of any assembly or parts which upon examination by Kayline proves to be defective. All defective items must be returned with proof of purchase to Kayline Manufacturing, 200 East 64th Avenue, Denver, Colorado 80221, freight prepaid. This warranty does not cover damage resulting from abuse, misuse, alteration, accident or damage in transit. Kayline's obligations under this warranty are limited to the aforementioned repair or replacement of warranty defects for which the return authorization has been received during the warranty period, and **KAYLINE SHALL NOT BE LIABLE FOR ANY INCIDENTAL OR CONSEQUENTIAL DAMAGES ARISING FROM BREACH OF THIS OR ANY IMPLIED WARRANTY.**

Some states do not allow the exclusion or limitation of incidental or consequential damages, so the above limitation or exclusion may not apply to you. This warranty gives you specific legal rights, and you may also have other rights which may vary from state to state.

If you need assistance or further information, you may contact Kayline at 1-800-525-8118 between the hours of 8:00 AM and 5:00 PM, Monday through Friday, Mountain Standard Time.

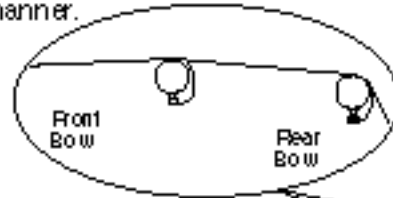
Step 1

With drip rails and bows into position, place convertible top vinyl side down on hood of vehicle. Insert sewn in black plastic into windshield retainer. Center left to right. Flip top over windshield and bows.



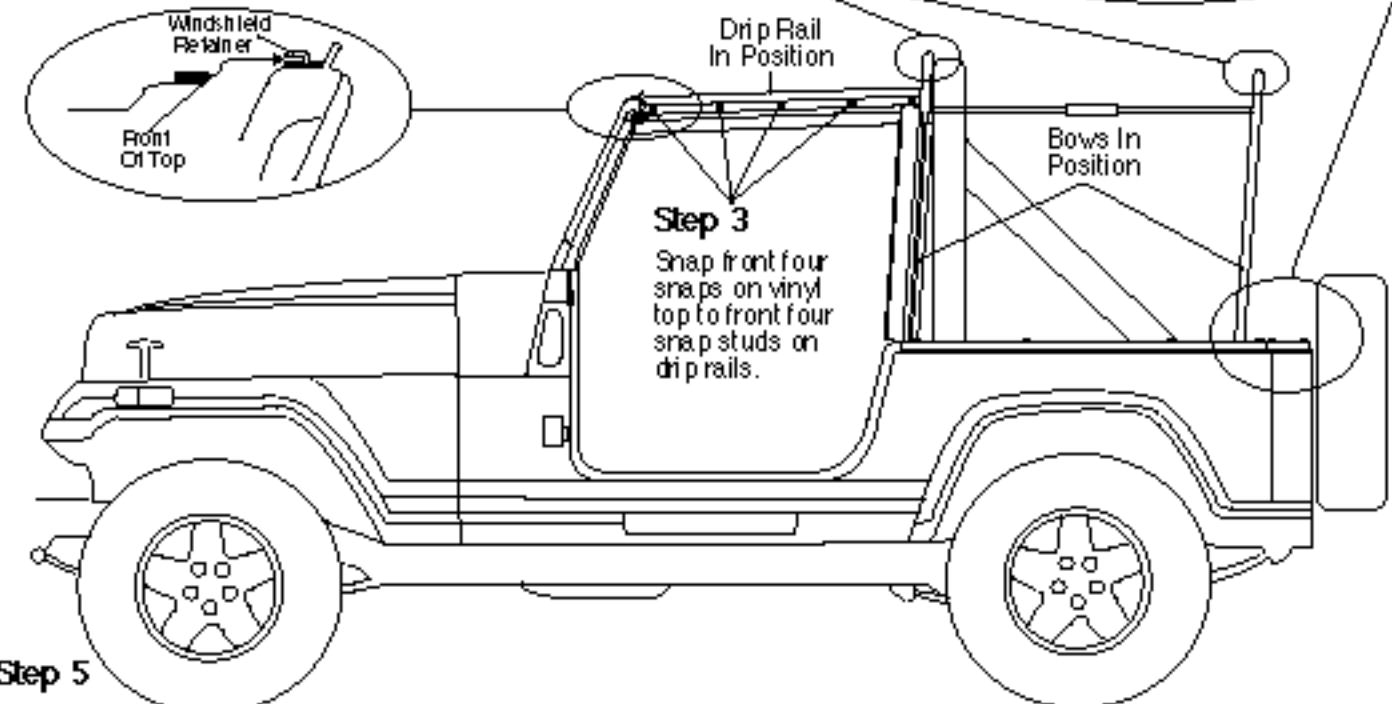
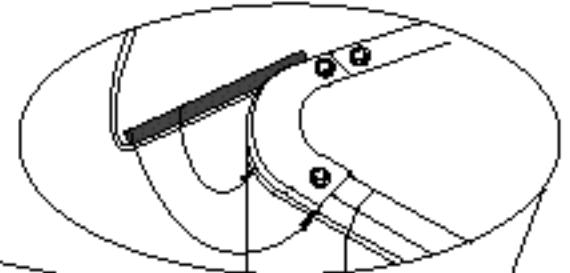
Step 2

With rear bow in released position, (see figure 2) snap front bow flap to front bow. Snap outside snaps first then work to the center. Snap rear bow to rear bow flap in the same manner.



Step 4

Insert plastic, at corners of vinyl top, into corner rails and belt rails. Slide sewn in rope at bottom of rear curtain into channel on tailgate retainer from original top and place retainer into tailgate clips at each side of tailgate. Close zippers at sides of rear curtain. Press hook and loop together on tailgate and tailgate clips.



Step 3

Snap front four snaps on vinyl top to front four snap studs on drip rails.

Step 5

Close zipper at top of side panel about half way. Close zipper at bottom rear of side panel about half way. Fold front of side panel over and insert into slot in "B" pillar on front bow plastic. Close rear zipper on side panel. Insert plastic into belt rail. Place rear bow into upright position and lock spreader bar. Close top zipper on side panel. Fasten last snap on vinyl top to snap stud on drip rail.

